

**NINGBO HUOH CHANG HYDRAULIC CO., LTD**

宁波和昌液压设备有限公司



**We will be your trustworthy business partner**

# About us

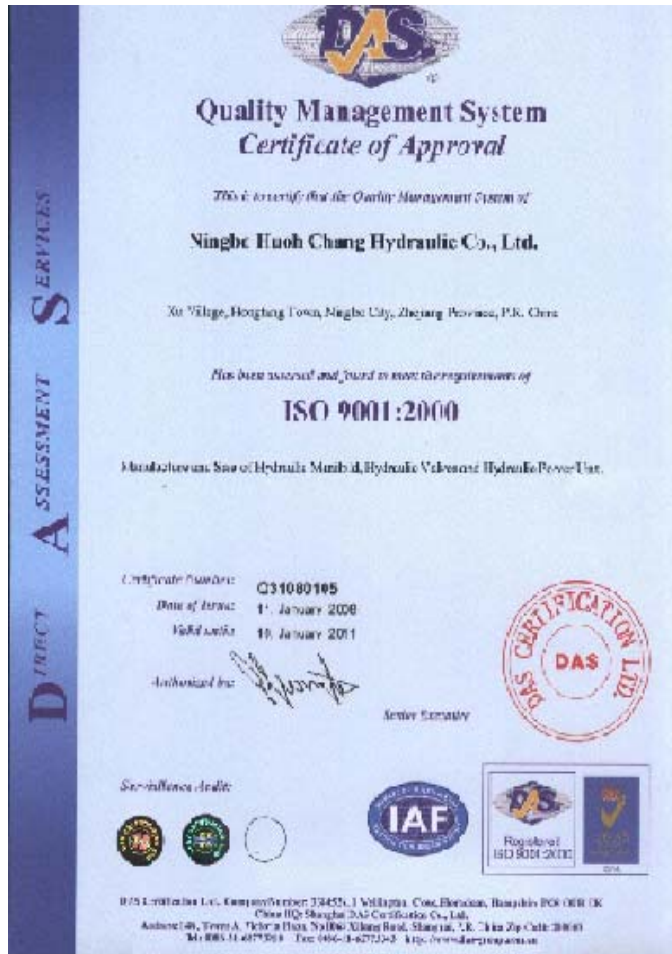
- 1982年郁振在台湾成立  
YU CHEN enterprise was established in TAIWAN in 1982
- 2001年郁振投资设立宁波和昌液压设备有限公司  
YU CHEN enterprise set up NINGBO HUOH CHANG HYDRAULIC CO.,LTD in 2001
- 2003年公司引进3D设计  
Design hydraulic schematic and components with 3D operation in 2003
- 2005年ERP系统使用  
We began to use ERP system in 2005
- 2007年通过ISO9001:2000质量体系认证  
ISO9001-2000 quality system certification in 2007
- 2010年搬迁至宁波慈城私营工业区  
Move in the private industrial estate in Cicheng-town Jiangbei District, Ningbo in 2010



SPECIAL MANUFACTURE CARTRIDGE VALVE/MANIFOLD SYSTEM

# ISO9001-2000 quality system certification

(通过ISO9001 - 2000质量体系认证)

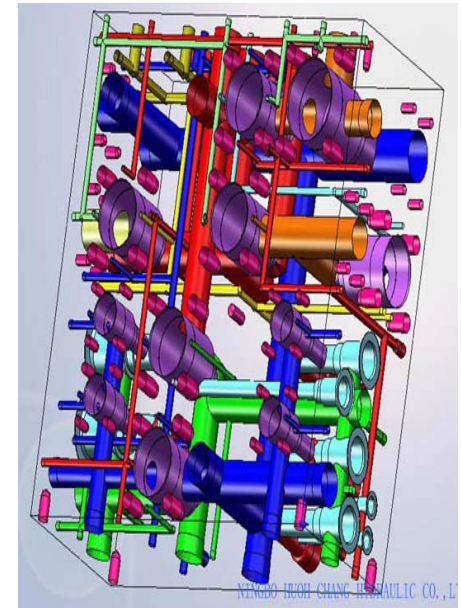
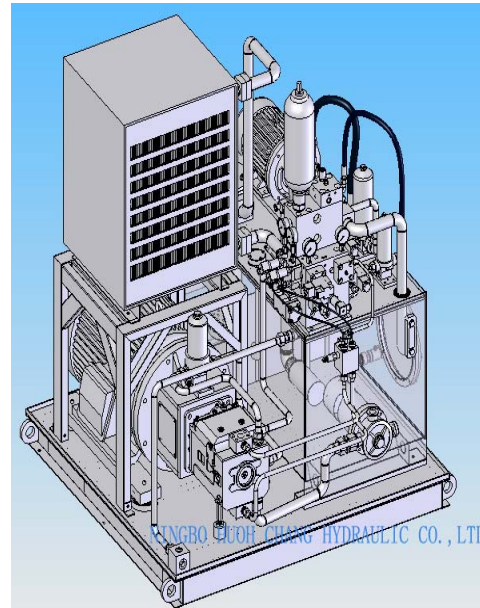


HUOH CHANG HYDRAULIC

SPECIAL MANUFACTURE CARTRIDGE VALVE/MANIFOLD SYSTEM

# Research and Development

## 我们的研发



- In the efforts of all staff, we have completed the three-dimensional design of CAD (在我们员工的共同的努力下, 我们已经完成了有关CAD的三维设计)
- Informationization of materials ERP (ERP原材料的信息化)
- ISO9001-2000 quality system certification (ISO9001-2000质量体系证书)
- achievement of automation production line and etc. (自动化生产线上的成就等)





# Exterior and Interior of our old Workshop

## 原厂房内外



SPECIAL MANUFACTURE CARTRIDGE VALVE/MANIFOLD SYSTEM

# Our customers

## 合作伙伴

**HUSKY**

*Keeping our customers in the lead*

**MOOG**

**MILACRON**  
*Manufacturing Technologies*

**TOSHIBA 東芝**

**KraussMaffei**

**YUKEN**

**NPM**  
PLASTIC METAL

 上海川口機械有限公司  
KAWAGUCHI CHINA

 震雄集團  
The Chen Hsong Group



**TKC** 今机塑胶机械有限公司  
Kinki Plastic Machinery Co., Ltd.

**JONWAI**  
琮偉機械廠



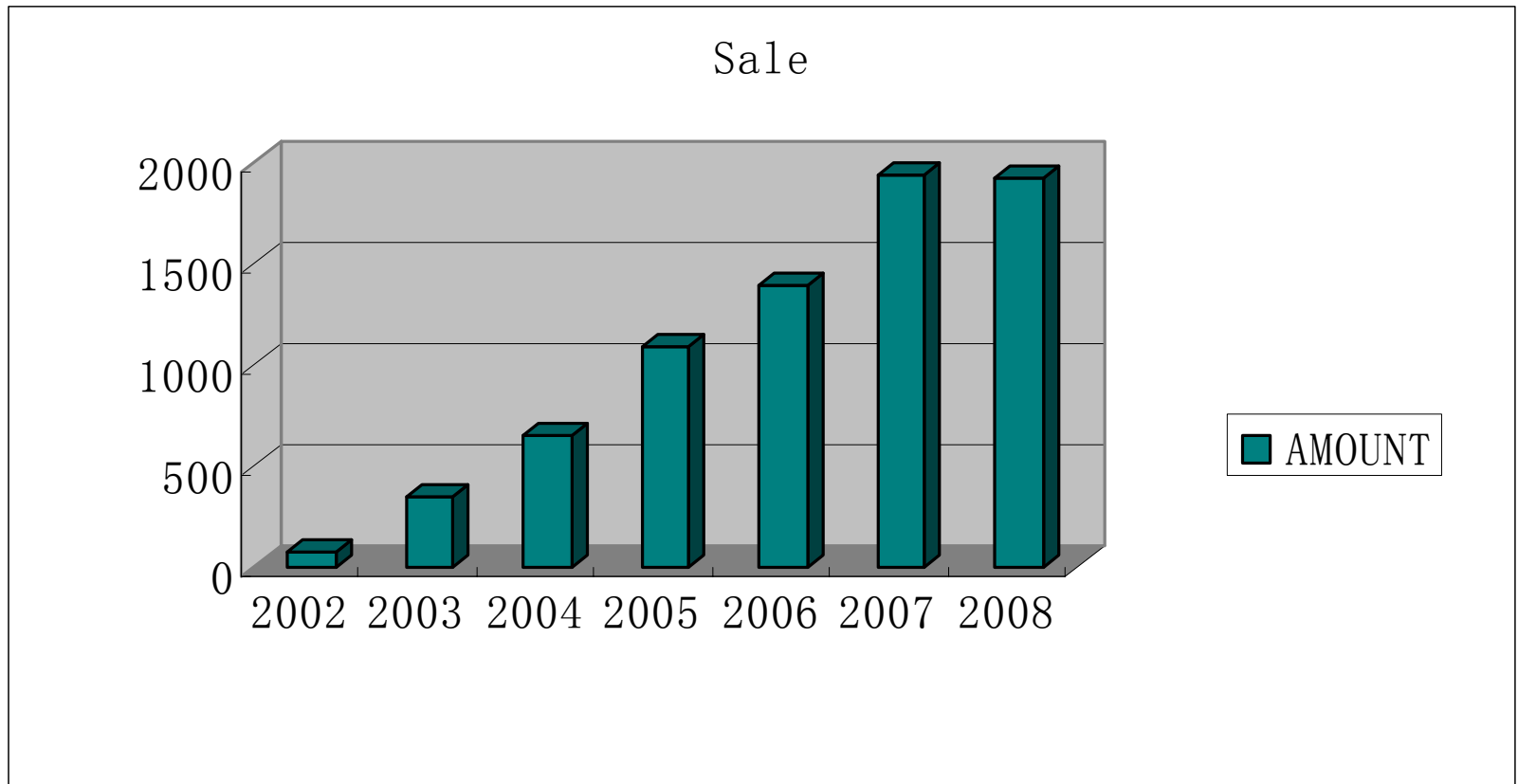
SPECIAL MANUFACTURE CARTRIDGE VALVE/MANIFOLD SYSTEM

HUOH CHANG HYDRAULIC

# sales revenue

## 销售业绩

Unit: RMB (10,000)



SPECIAL MANUFACTURE CARTRIDGE VALVE/MANIFOLD SYSTEM

HUOH CHANG HYDRAULIC

# production equipments

## 生产设备

Device Name	specification	quantity	Origin
Horizontal CNC Machining Center (卧式数控加工中心)	H630	1	Taiwan
CNC Machining Center (数控加工中心)	MV-1100	2	Taiwan
CNC Machining Center (数控加工中心)	YCM-VMC-72A	1	Taiwan
CNC Machining Center (数控加工中心)	YCM-VMC-72	1	Taiwan
CNC Machining Center (数控加工中心)	CNC/TX32	1	China
Radial drilling machine (摇臂钻床)	23050X16/1	7	Taiwan
Radial drilling machine (摇臂钻床)	ZQ3080X20	2	China
CNC Lathe (数控车床)	CNC6136	1	China
Lathe (车床)	CD6250A	1	China
Precision surface grinder (精密平面磨床)	GS-1045-2A	1	Taiwan
surface grinder (平面磨床)	M7163	1	China

SPECIAL MANUFACTURE CARTRIDGE VALVE/MANIFOLD SYSYTEM





# CNC Machining Center

## 数控加工中心

work range (加工范围)	locating precision (定位精度)
X:900 Y:800 Z:710	+/-0.010
max load (最大负荷) : 1.5T	



HUOH CHANG HYDRAULIC

SPECIAL MANUFACTURE CARTRIDGE VALVE/MANIFOLD SYSTEM

# CNC Machining Center

## 数控加工中心

work range (加工范围)	locating precision (定位精度)
X:1100 Y:650 Z:200-800	+/-0.002
max load (最大负荷) : 2T	
tooling inside cooling (模具内冷却)	



HUOH CHANG HYDRAULIC

SPECIAL MANUFACTURE CARTRIDGE VALVE/MANIFOLD SYSTEM

# Radial drilling machine 摇臂钻床



Z3050



Z3080

max rotate diameter (最大旋转直径) : 50mm	repeating precision (重复精度)
rotate speed (转速) : 25-2000rpn	+ / -0.5
work range (工作范围) : X:2000 Z:1200	

max rotate diameter (最大旋转直径) : 80mm	repeating precision (重复精度)
rotate speed (转速) : 20—1600rpn	+ / -0.5
work range (工作范围) : X:2000 Z:1200	



HUOH CHANG HYDRAULIC

SPECIAL MANUFACTURE CARTRIDGE VALVE/MANIFOLD SYSYTEM

# High precision surface grinder

## 高精度平面磨床



work range (工作范围) : X:1000 Y:500 Z:490	Ra: 0.4
work range (工作范围) : X:1000 Y:630 Z:800	Ra: 0.4



SPECIAL MANUFACTURE CARTRIDGE VALVE/MANIFOLD SYSTEM

# cleaning machine

## 油路板清洗设备



SPECIAL MANUFACTURE CARTRIDGE VALVE/MANIFOLD SYSTEM



# Specialized in manufacturing Cartridge Logic Valves/Manifold assemblies

## 专业生产逻辑式及插式液压系统



NINGBO HUOH CHANG HYDRAULIC CO., LTD

SPECIAL MANUFACTURE CARTRIDGE VALVE/MANIFOLD SYSTEM



# Specialized in manufacturing Medium-large Hydraulic Power Unit

## 专业生产大中型液压站



Specialized produce various Hydraulic Systems (专业生产各种液压配套系统)

Professional designing and producing oil Cylinder and Hydraulic Power Unit (油压缸、液压站的专业制造)

Technical Support (油压技术专业咨询)

Hydraulic Systems Maintenance (整套油压系统维护)



NINGBO HUOH CHANG HYDRAULIC CO., LTD

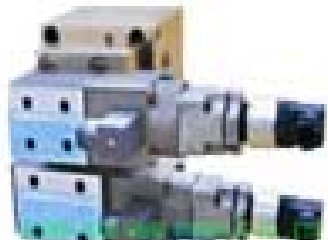
SPECIAL MANUFACTURE CARTRIDGE VALVE/MANIFOLD SYSTEM



HUOH CHANG HYDRAULIC

# Supplying various hydraulic valves and parts as agent

## 代理各类阀件及零件



HUOH CHANG HYDRAULIC

SPECIAL MANUFACTURE CARTRIDGE VALVE/MANIFOLD SYSTEM

# Precise measuring instruments

## 精密的量具



**Ultrasonic Flaw Detector**  
(超声波探伤仪)



**Digital depth ruler**  
(数字深度尺)



**Roughness instrument**  
(粗糙度仪)



**Diameter dial gauge** (外径千分尺)



SPECIAL MANUFACTURE CARTRIDGE VALVE/MANIFOLD SYSTEM

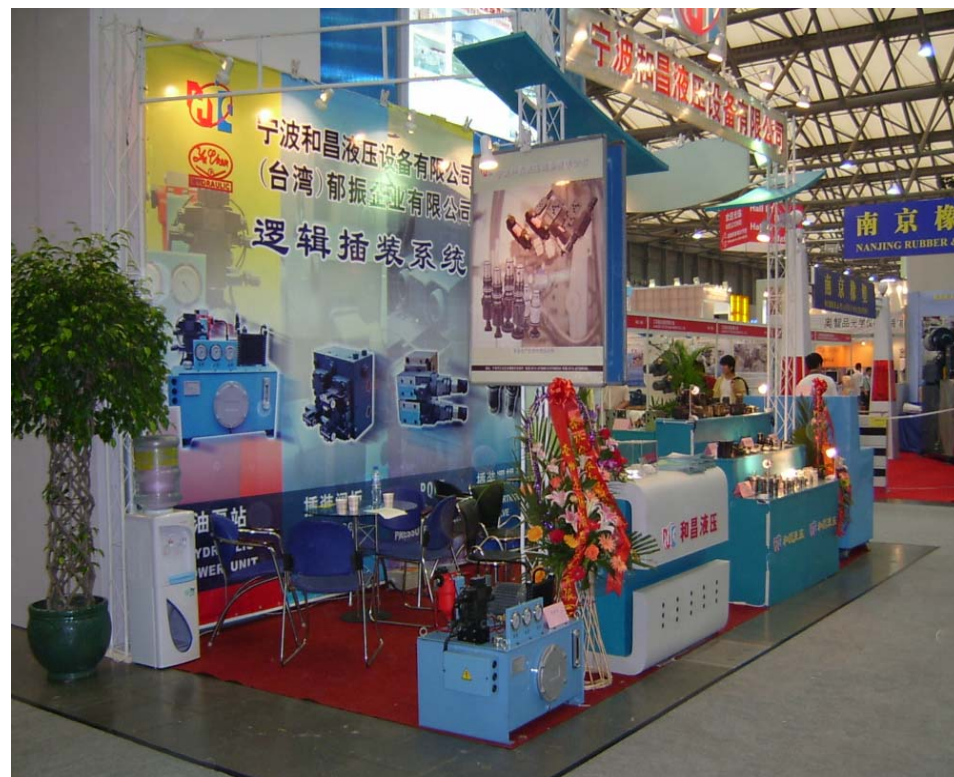


# Development prospect

## 发展前景

We participate in trade fairs every year. Our company has obtained the orders from Europe, the United States, Japan and Taiwan area, such as high-end injection molding machine manufacturers Husky, Milacron, KraussMaffei, MOOG.

我公司每年都会参加展会，并已经获得了来自欧洲、美国、日本以及台湾地区企业的订单，如高端注塑机制造商赫斯基、米拉克龙、克劳斯马菲、穆格等企业。



SPECIAL MANUFACTURE CARTRIDGE VALVE/MANIFOLD SYSTEM



HUOH CHANG HYDRAULIC



The new plant is located in Cicheng-town Jiangbei District,  
Ningbo in 2010

2010年入住宁波江北区慈城的新工厂



SPECIAL MANUFACTURE CARTRIDGE VALVE/MANIFOLD SYSTEM



HUOH CHANG HYDRAULIC